

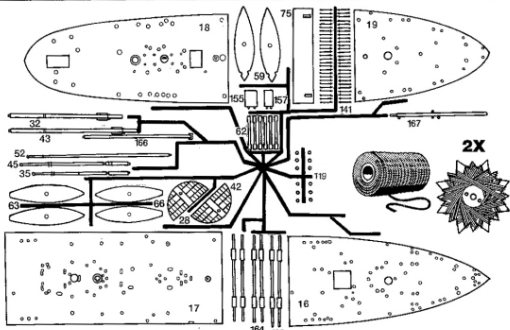






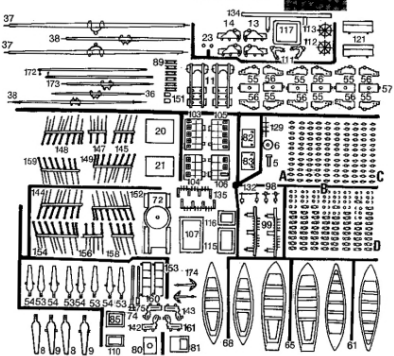
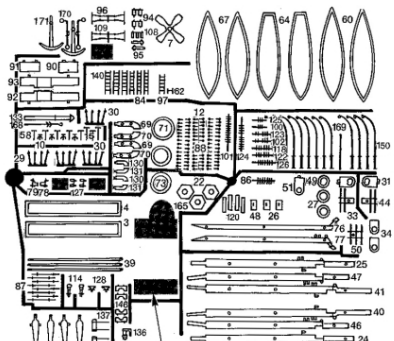
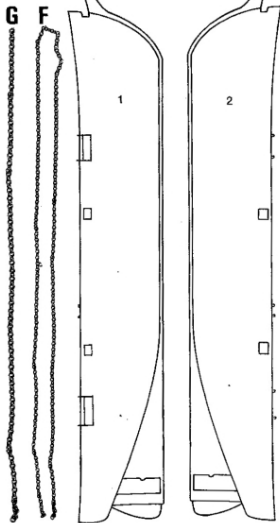
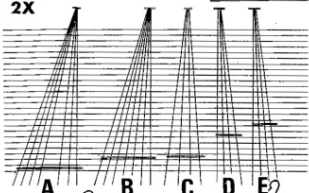


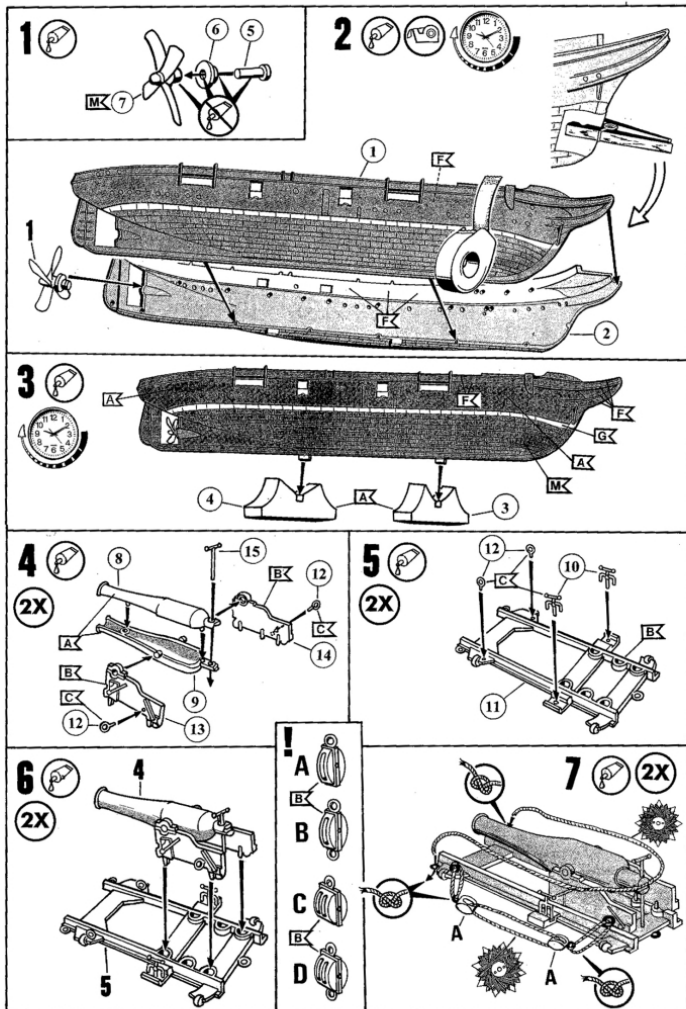
2X

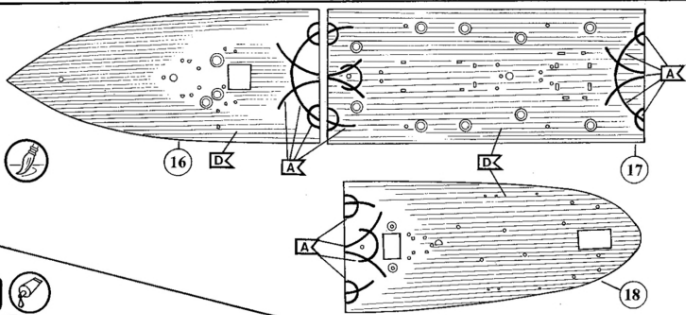
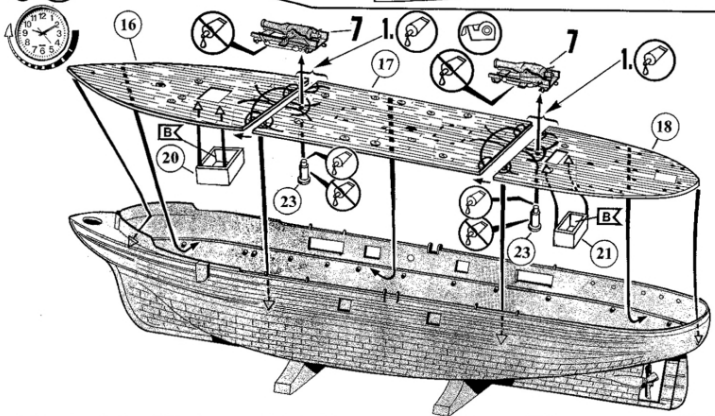
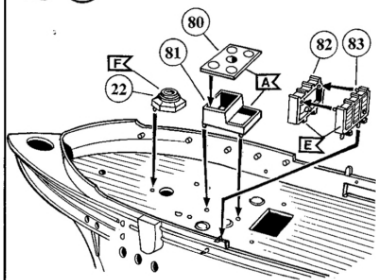
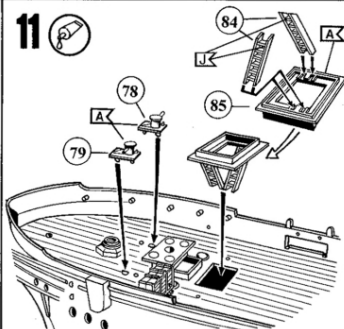


2X

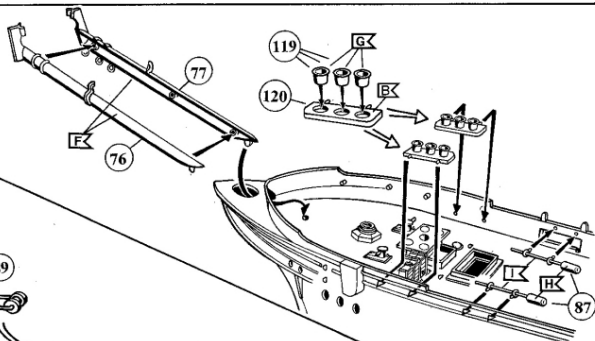
2X



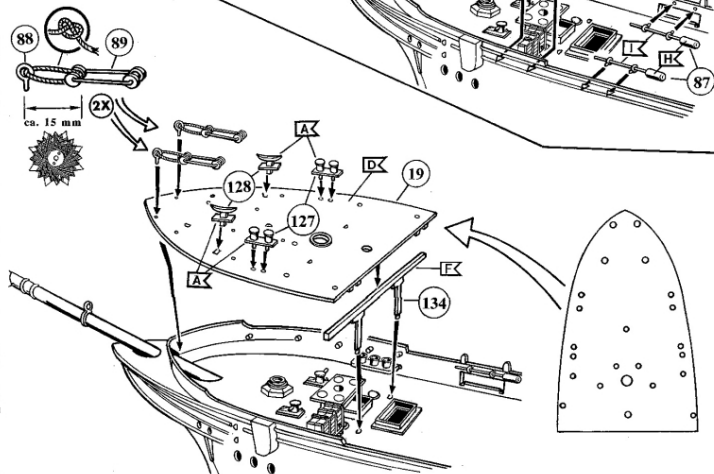


8 9 10 11 

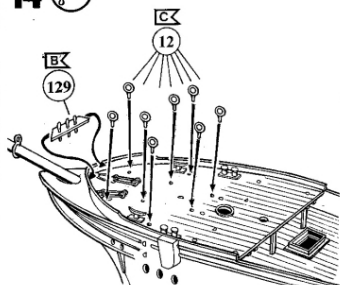
12



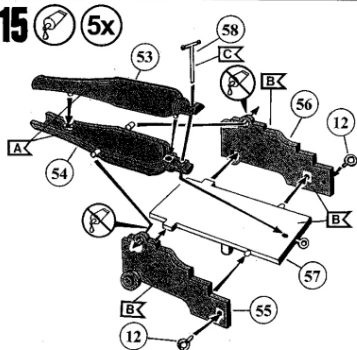
13



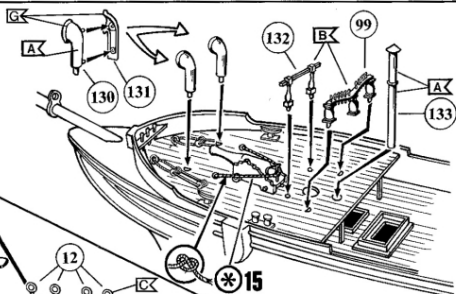
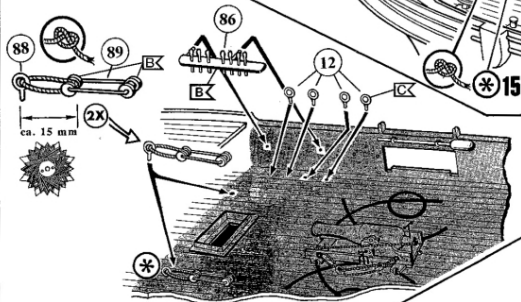
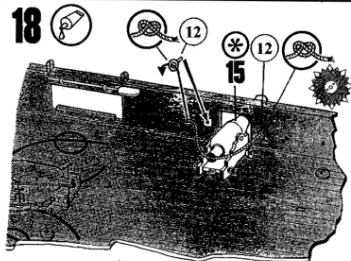
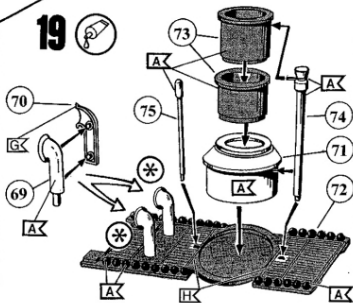
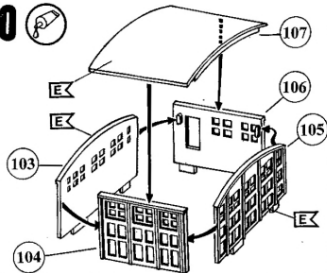
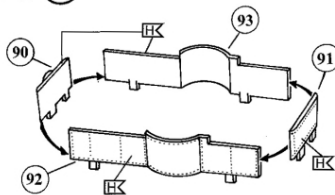
14

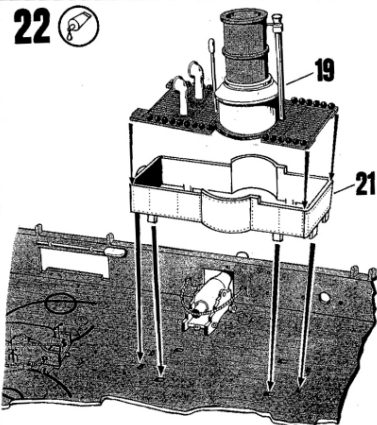
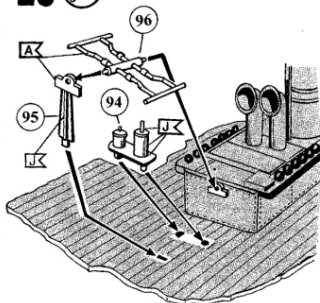
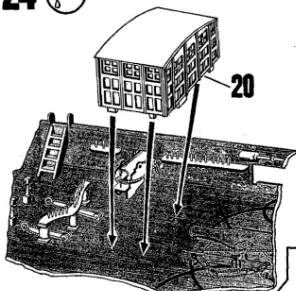
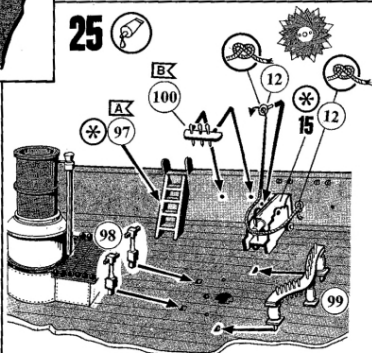
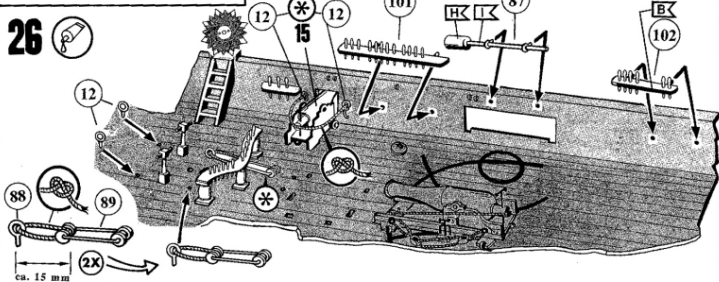


15

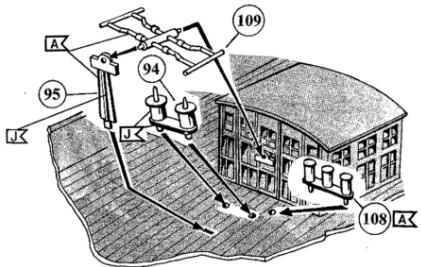




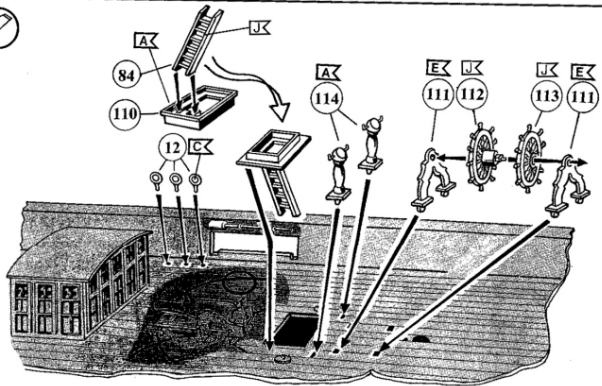
16 17 18 19 20 21 

22 23 24 25 26 

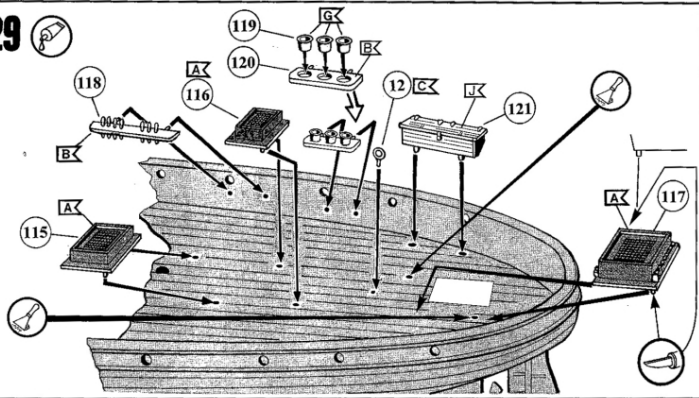
# 27



# 28

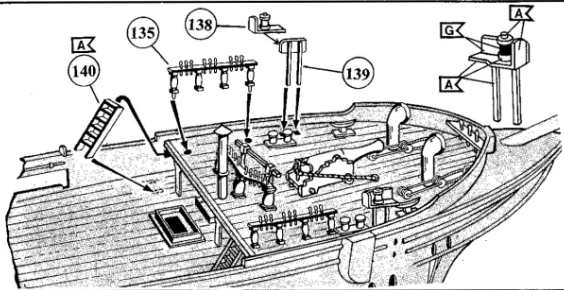


# 29

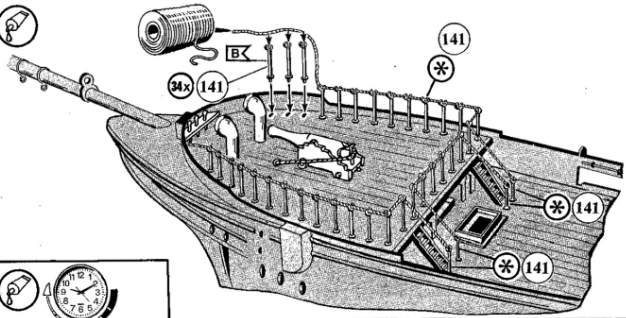




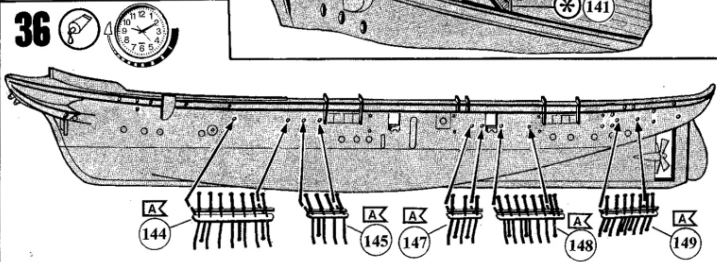
# 34



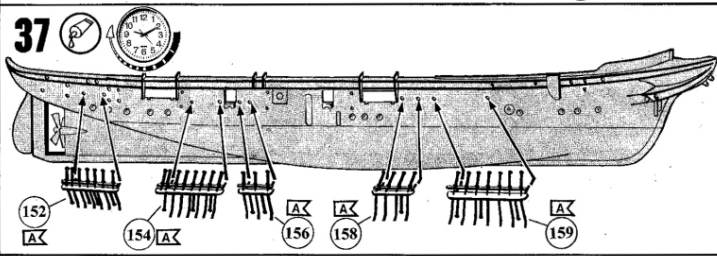
# 35

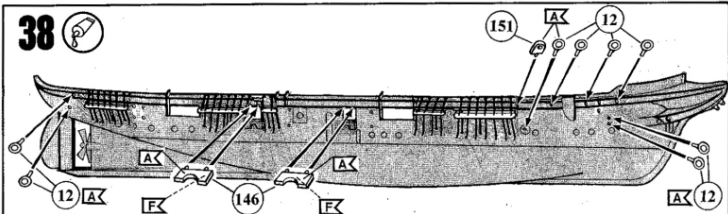
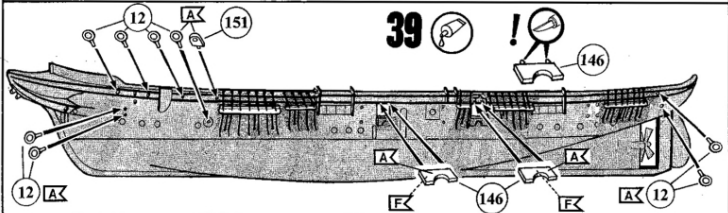
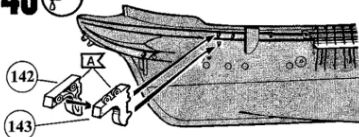
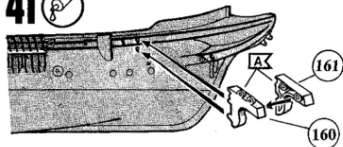
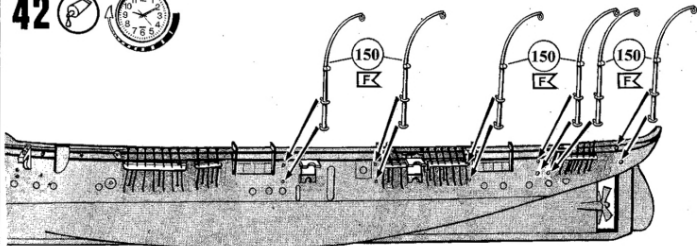
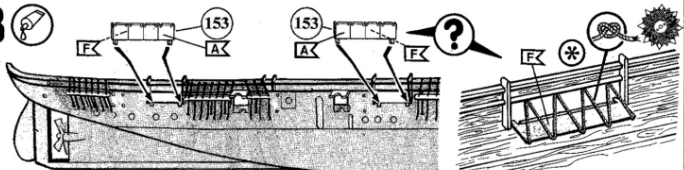


# 36

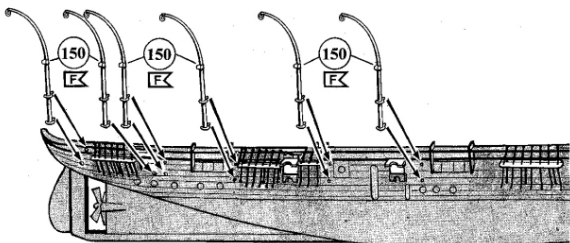


# 37

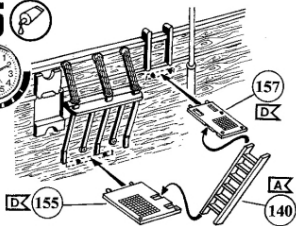


38 39 40 41 42  43 

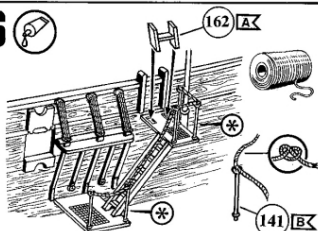
44



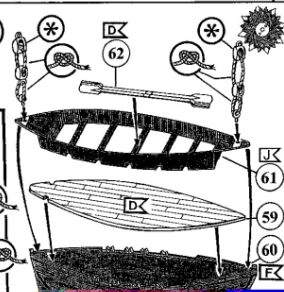
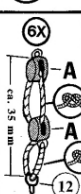
45



46



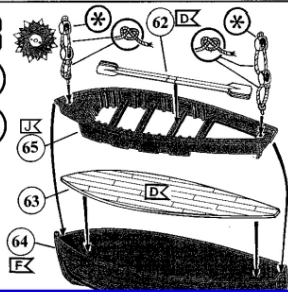
47



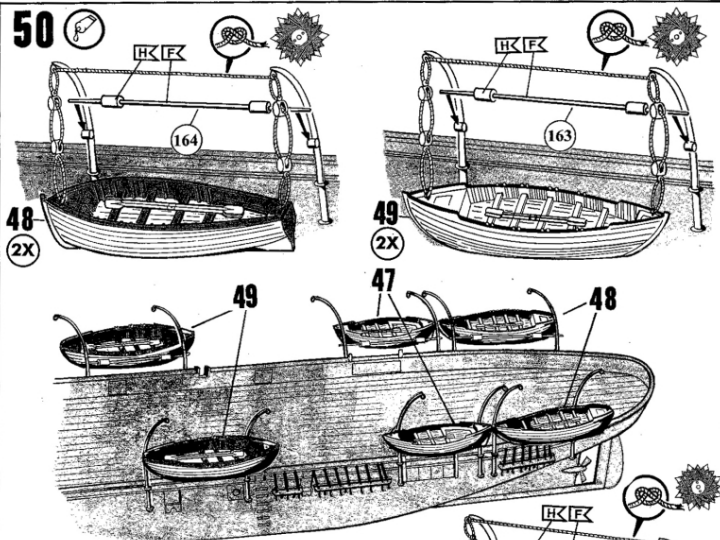
48



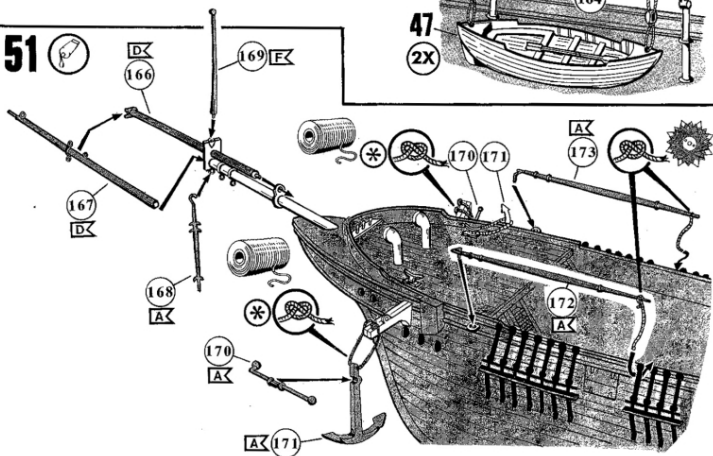
2X



50

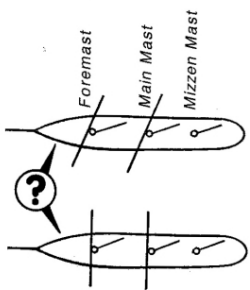
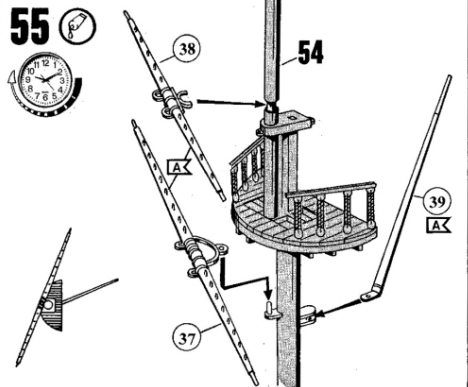
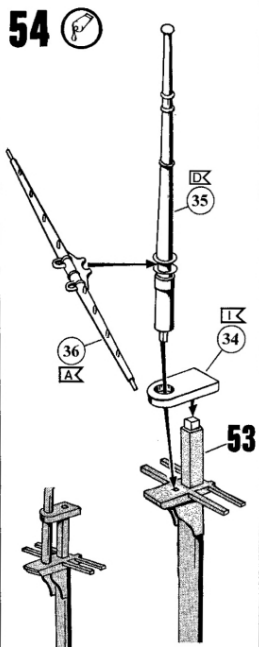
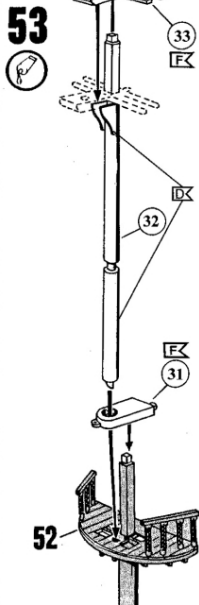
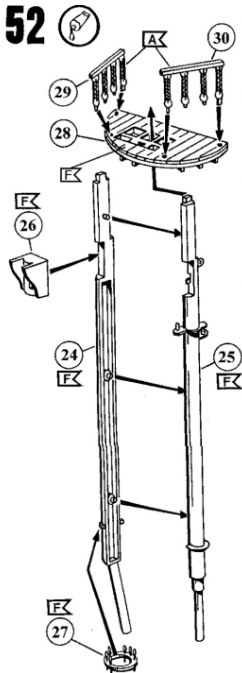


51

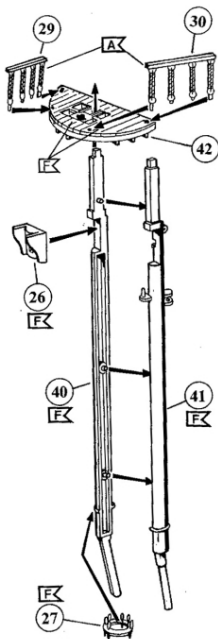
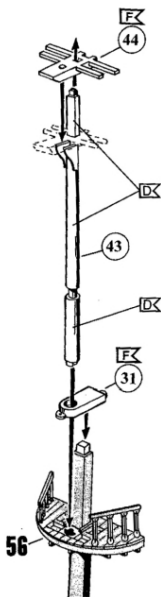
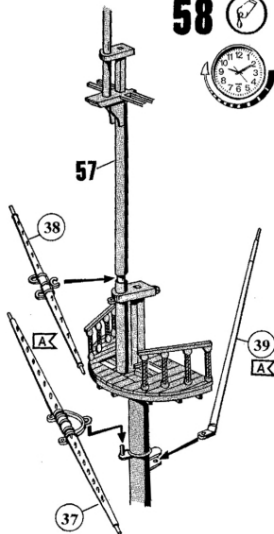
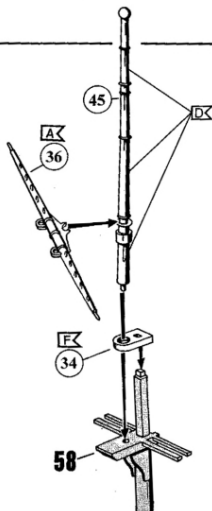
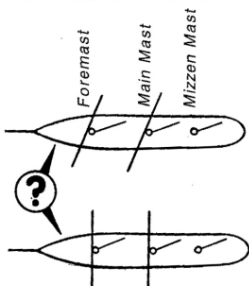




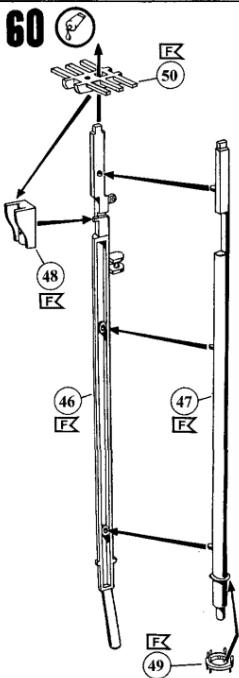
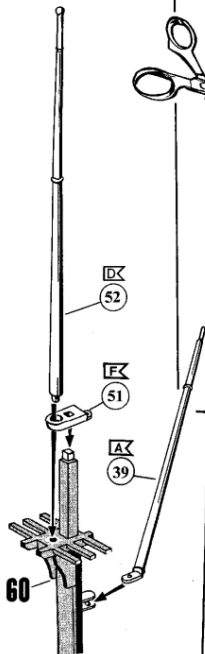
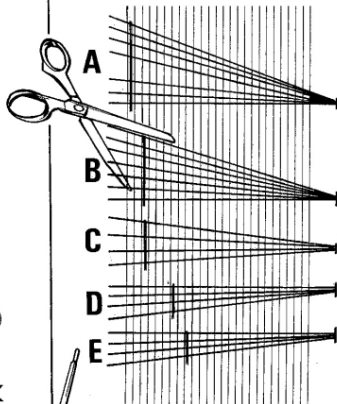
# Foremast



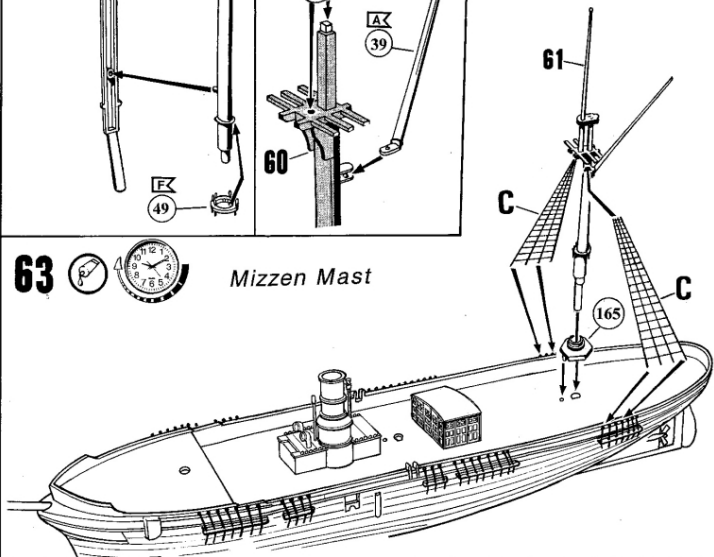
## Main Mast

56 57 58 59 

## Mizzen Mast

**61** **62** **63**  

## Mizzen Mast

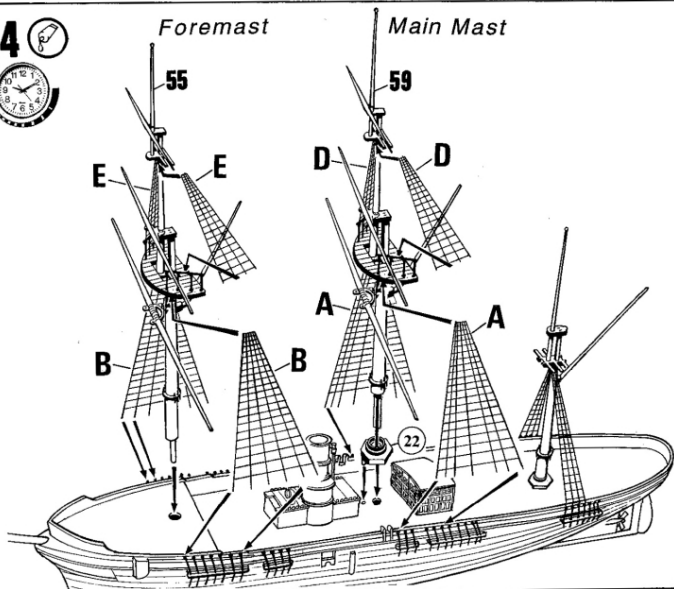


64



Foremast

Main Mast



1



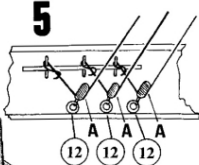
2



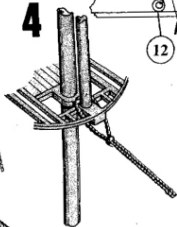
3



5



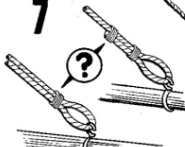
4



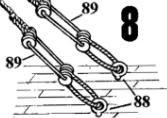
6



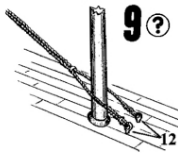
7

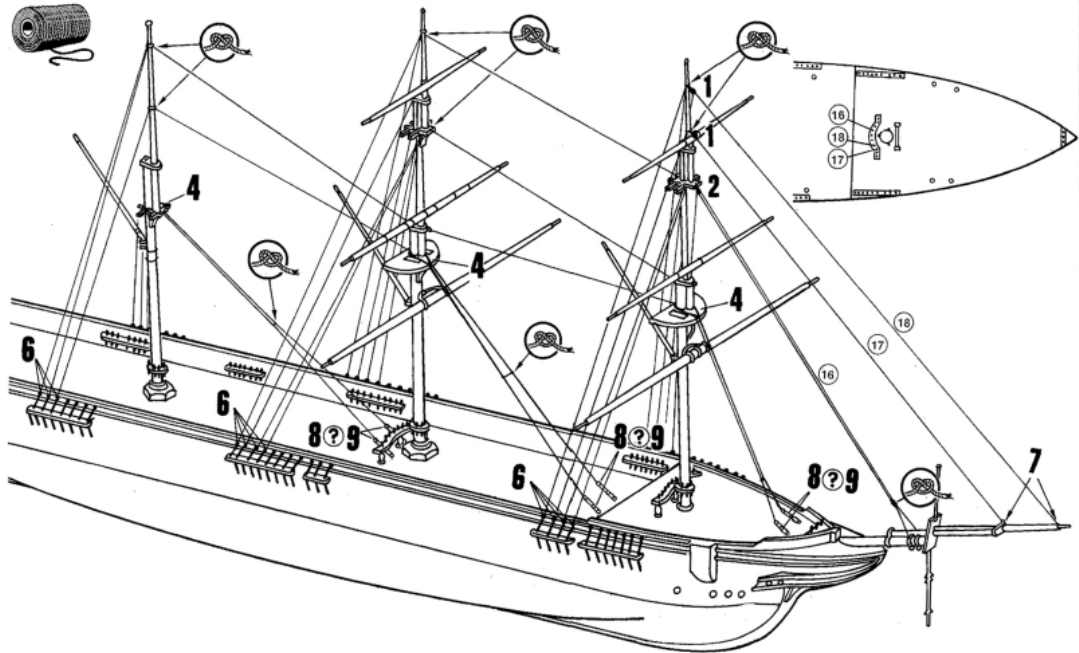


8

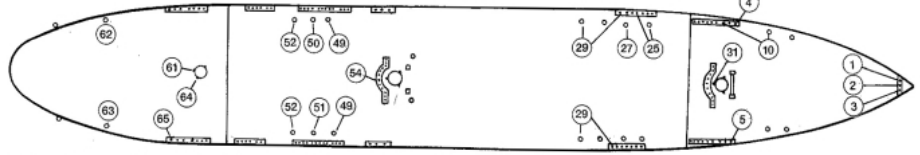
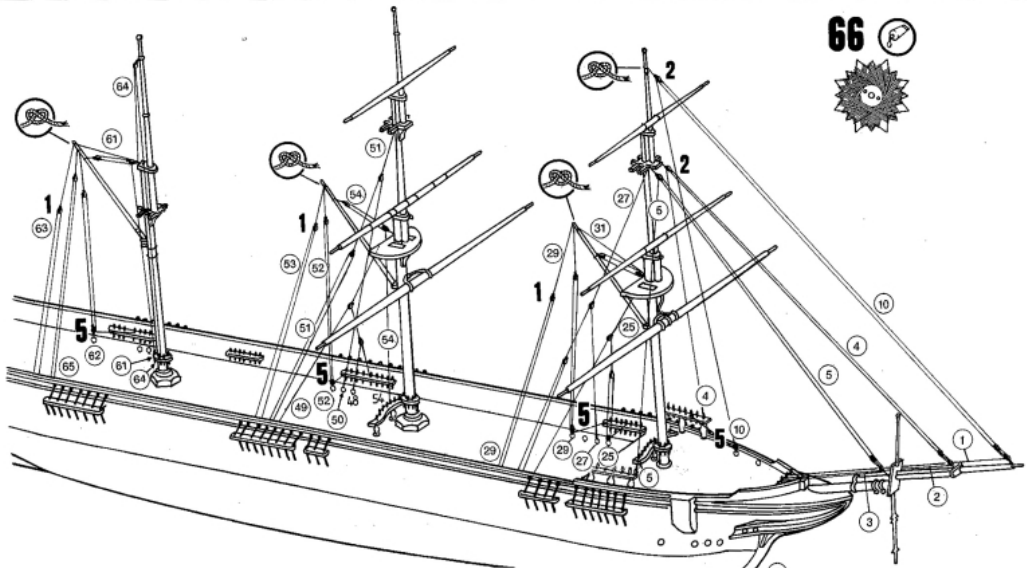


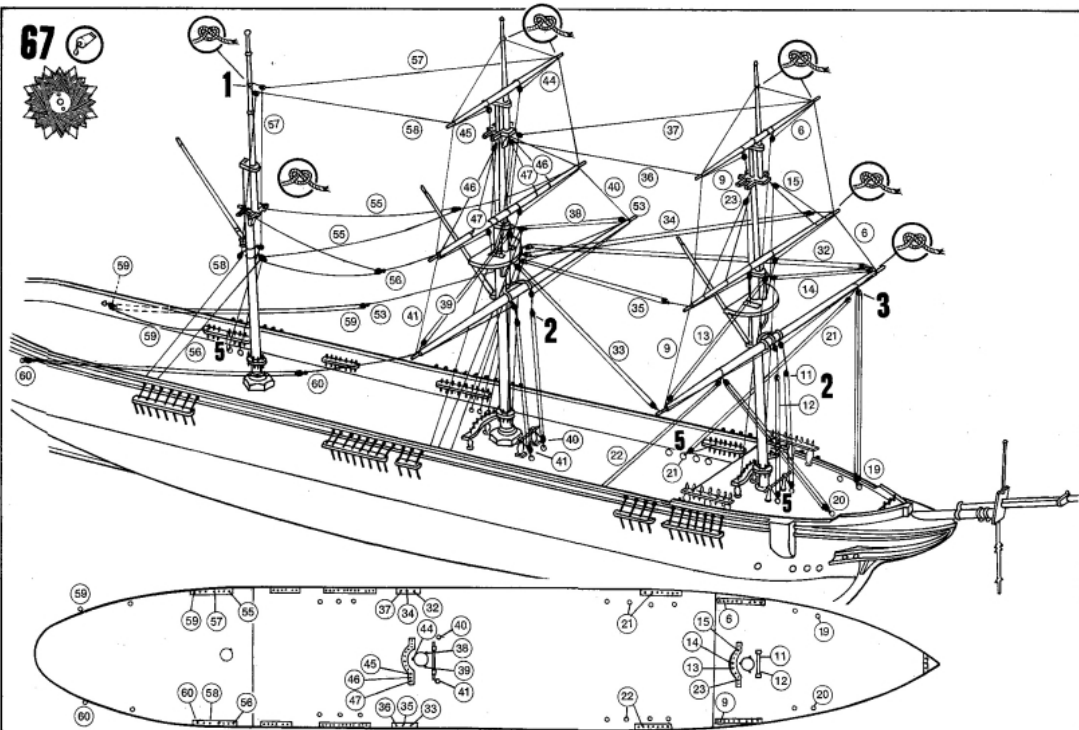
9?





66





68

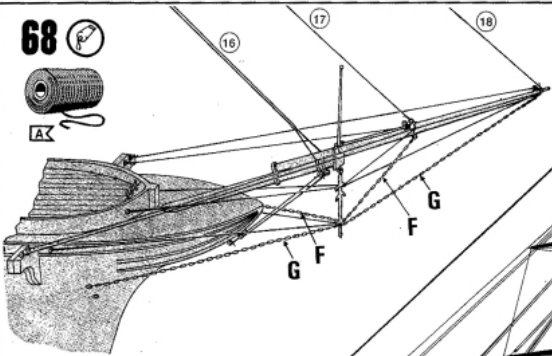


AK

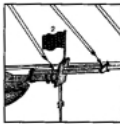
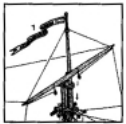
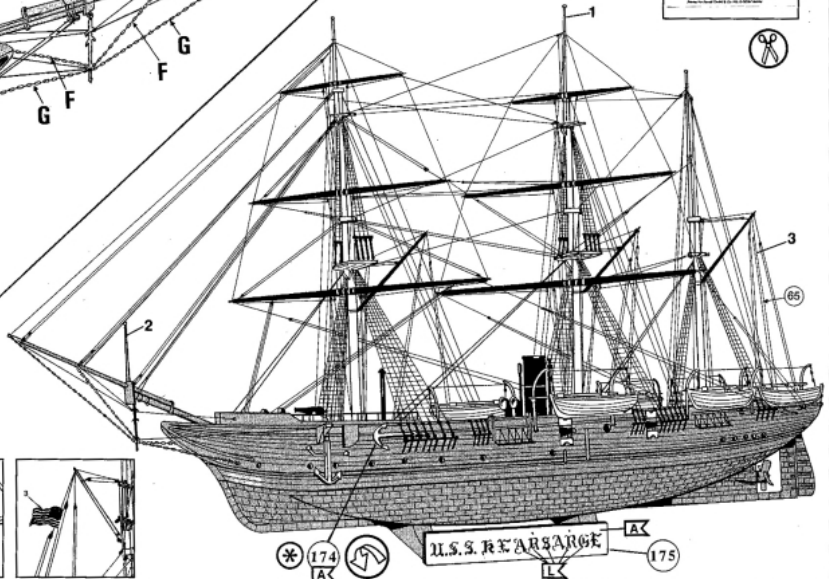
16

17

18



69



\* 174



U.S.S. REAR ADMIRAL

175



70  (2X)

